

4

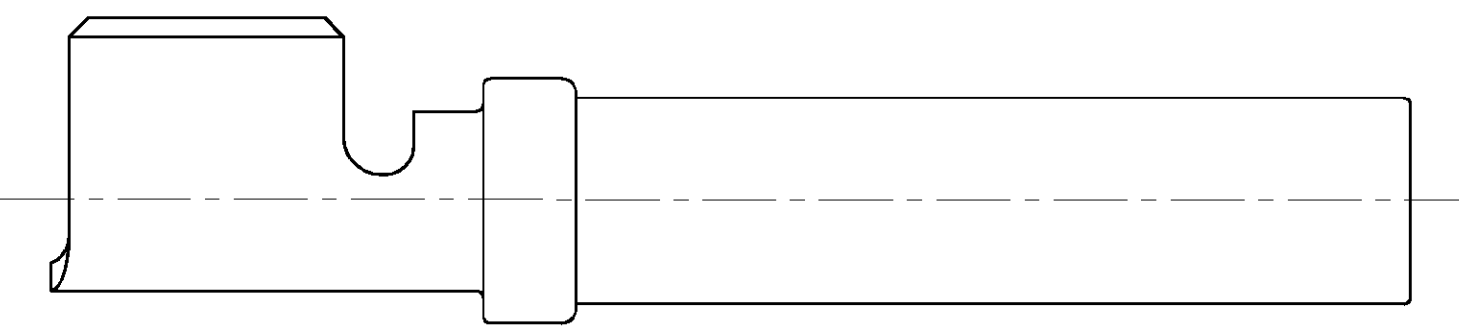
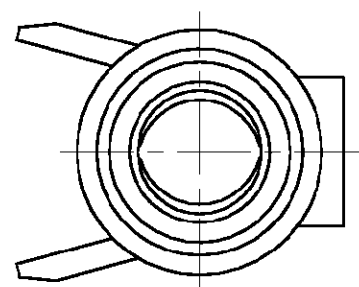
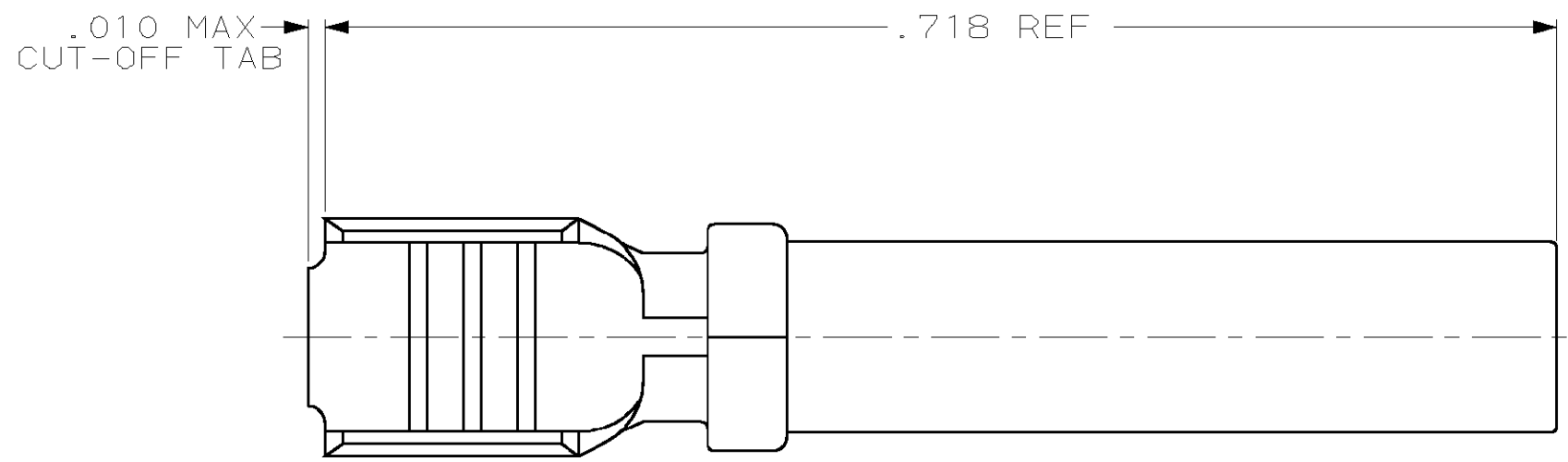
3

2

1

THIS DRAWING IS UNPUBLISHED. RELEASED FOR PUBLICATION .19
 BY AMP INCORPORATED. ALL RIGHTS RESERVED.

LOC	DIST	REVISIONS			
P	LTR	DESCRIPTION	DATE	DWN	APVD
0		REL PER PR# 99-7	2-17-99	PC	WL
A		REV PER EC 0K40-0013-01	24AUG01	AG	MT



1. WIRE RANGE: 18-14 AWG

776297

LOOSE PIECE VERSION OF 638090-2	NICKEL	776297-2
LOOSE PIECE VERSION OF 638090-1	GOLD	776297-1
DESCRIPTION	FINISH	PART NUMBER

THIS DRAWING IS A CONTROLLED DOCUMENT.		DWN P. COLLINS 2-17-99	AMP Incorporated Harrisburg, PA 17105-3508	
DIMENSIONS: mm		CHK W. LONG 2-17-99		
		APVD S. MARPOE 2-17-99		
TOLERANCES UNLESS OTHERWISE SPECIFIED:		NAME ASSEMBLY, SOCKET LOOSE PIECE		
0 PLC ±-		PRODUCT SPEC		
1 PLC ±-		APPLICATION SPEC		
2 PLC ±0.5		SIZE A2		
3 PLC ±0.13		CAGE CODE 00779		
4 PLC ±-		DRAWING NO 776297		
ANGLES ±- ±-		RESTRICTED TO		
MATERIAL	FINISH	WEIGHT		SCALE
-	-	-		1 OF 1
CUSTOMER DRAWING		REV A		

AMP 1471-9 REV 11 JUN 97